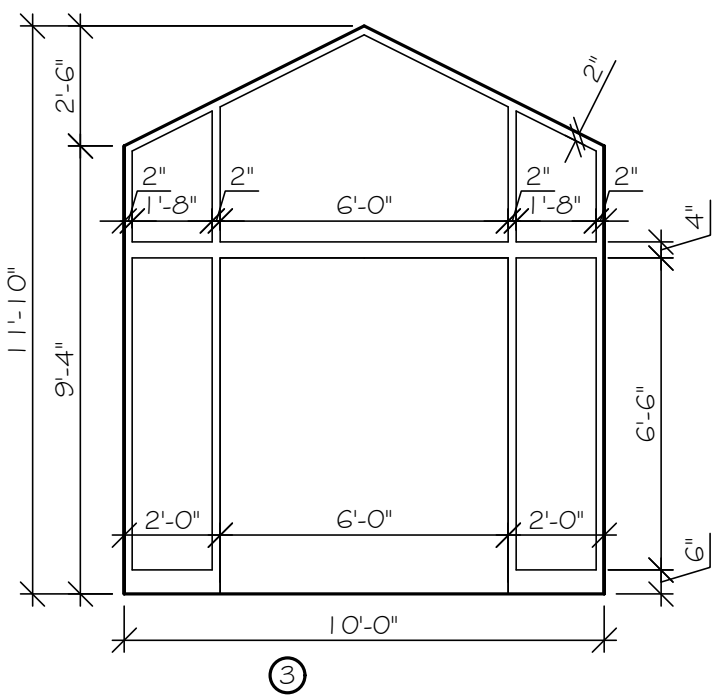
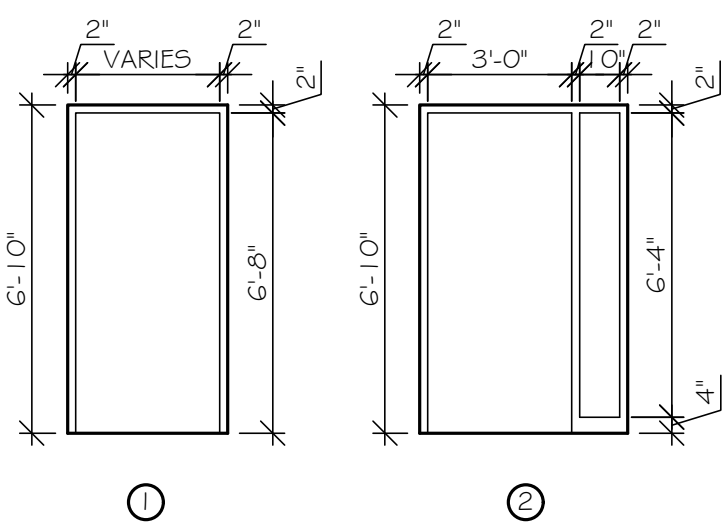
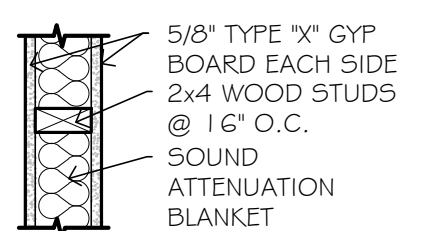
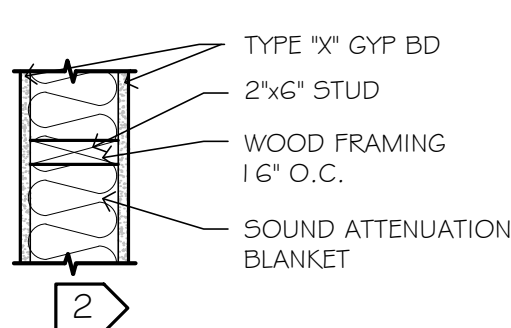
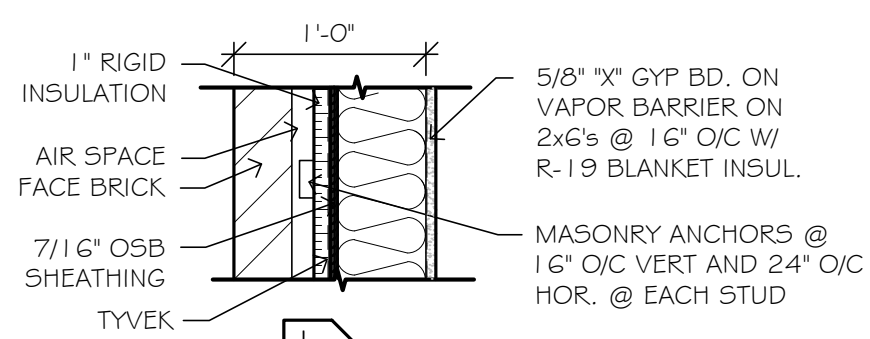


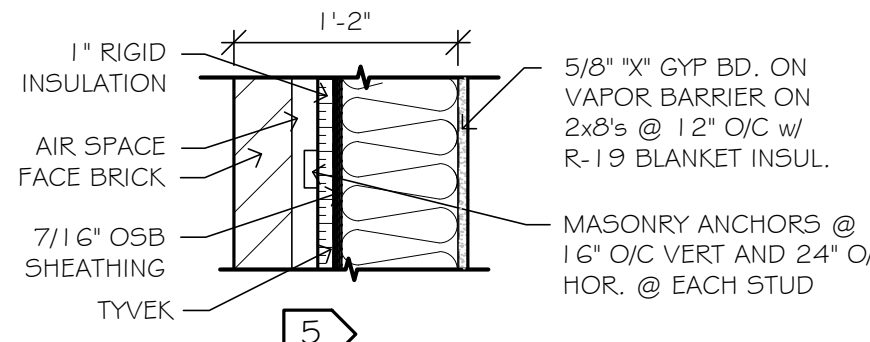
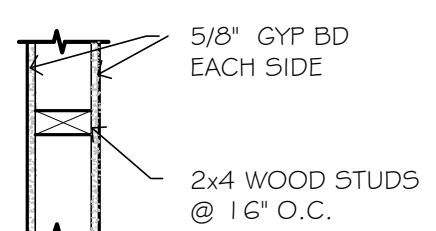
### 1 DOOR TYPES



### 2 FRAME TYPES



NOTE: SEE S201 FOR SHEAR WALL INFORMATION



### 4 WALL TYPES

SCALE 1" = 1'-0"

DOOR #	LOCATION	DOOR SIZE	MAT TYPE	FRAME	GLASS	DETAILS	HARD. WARE	FIRE RATE	REMARKS
11	NARTHEX ENTRANCE	6'-0" x 6'-8"	ALUM A	ALUM 3	FULL				1, 2
12	PASTOR'S OFFICE	3'-0" x 6'-8"	WD B	WD 2					4
13	COPY ROOM	3'-0" x 6'-8"	WD C	WD 1	NL				4
14	SECRETARY'S OFFICE	3'-0" x 6'-8"	WD B	WD 2					4
15	MULTI PURPOSE ROOM	3'-0" x 6'-8"	WD B	WD 2					3
16	MENS	3'-0" x 6'-8"	WD B	WD 1					6
17	WOMENS	3'-0" x 6'-8"	WD B	WD 1					6
18	OFFICE HALLWAY	3'-0" x 6'-8"	WD D	WD 2	3/4				2
19	HALLWAY CLOSET	3'-0" x 6'-8"	WD E	WD 1					7
01	NEW BASEMENT STORAGE	6'-0" x 6'-8"	MTL F	HM 1					5

#### REMARKS FOR DOOR SCHEDULE

1. ADA COMPLIANT THRESHOLD
2. INSULATED & WEATHER STRIPPED

### 5 DOOR SCHEDULE

#### ABBREVIATIONS FOR DOOR SCHEDULE

- MATERIALS**  
 HM HOLLOW METAL  
 WD WOOD  
 ALUM ALUMINUM  
 MTL METAL
- EX** EXISTING TO REMAIN  
**...** NO FINISH INDICATED/NA

RM #	ROOM NAME	FLOOR		WALL FINISHES						CEILING FINISHES		REMARKS		
		SUBST	TYP.	BASE	N/NE	E/SE	S/SW	W/NW	TYPE	FINISH HEIGHT				
11	NARTHEX	C	CT	WD	GB	P	GB	P	GB	P	GB	P	8'-8"	1
12	PASTOR'S OFFICE	WS	CA	WD	GB	P	GB	P	GB	P	GB	P	8'-0"	...
13	COPY ROOM	WS	CA	WD	GB	P	GB	P	GB	P	GB	P	8'-0"	...
14	SECRETARY'S OFFICE	WS/C	CA	WD	GB	P	GB	P	GB	P	GB	P	8'-0"	...
15	MULTI PURPOSE	C	CA	WD	GB	P	GB	P	GB	P	GB	P	8'-0"	...
16	MEN	WS	CT	CT	GB	CT	GB	CT	GB	CT	GB	CT	8'-0"	...
17	WOMEN	WS	CT	CT	GB	CT	GB	CT	GB	CT	GB	CT	8'-0"	...
18	OFFICE HALLWAY	WS	CA	WD	GB	P	GB	P	GB	P	GB	P	8'-0"	...

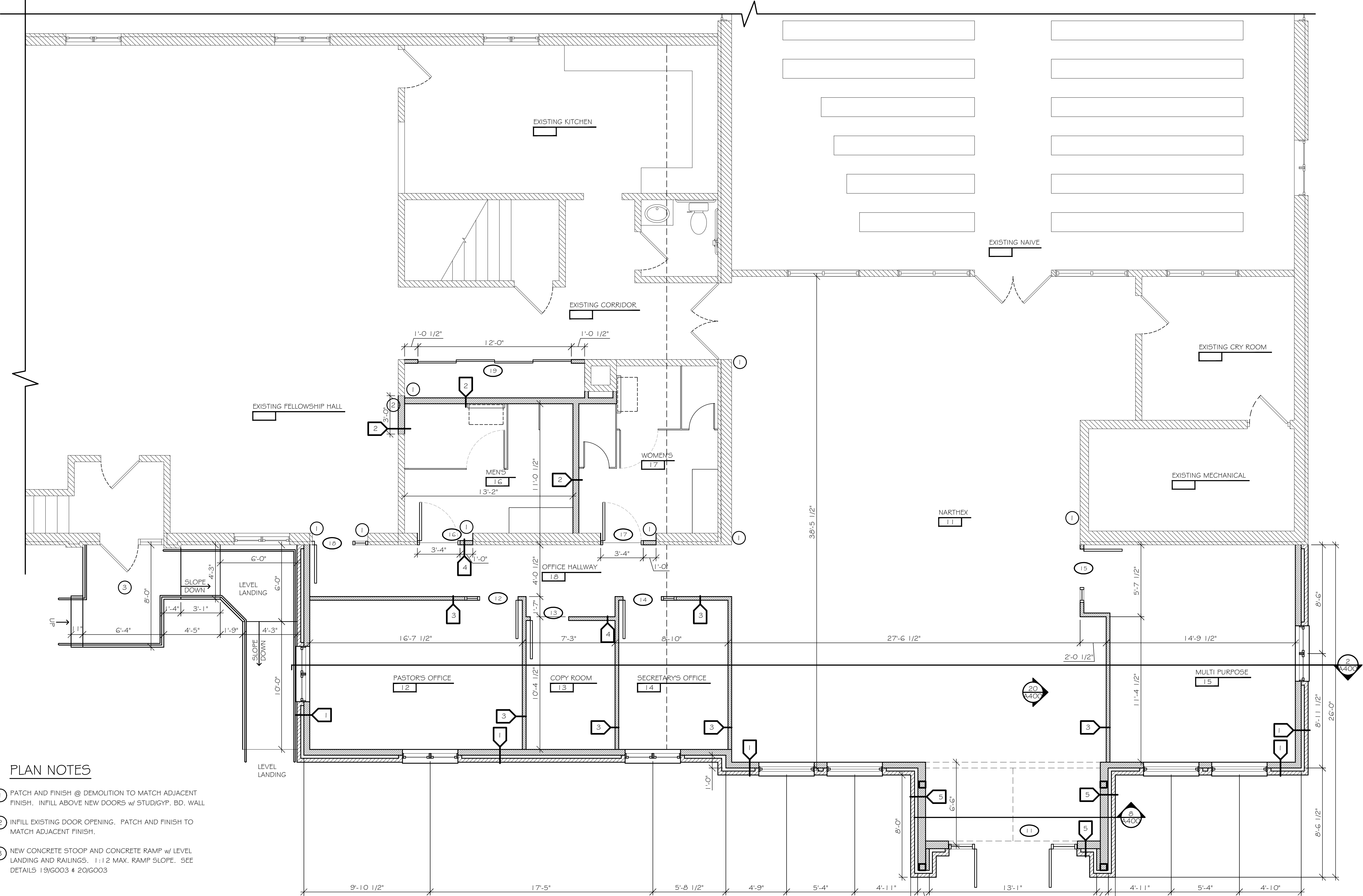
#### REMARKS FOR ROOM FINISH SCHEDULE

1. WALK OFF ENTRY FLOORING
2. ...

#### ABBREVIATIONS FOR ROOM FINISH SCHEDULE

- EXISTING TO REMAIN**  
 SUBST. SUBSTRATE  
 ... NO FINISH INDICATED/NA
- FINISH MATERIALS**  
 AT-# ACOUSTIC CEILING TILE  
 CA-# CARPET  
 CT-# CERAMIC TILE  
 P-# PAINT  
 VB-# VINYL BASE  
 WD WOOD-SOLID  
 VCT-# VINYL COMPOSITION TILE

### 17 ROOM FINISH SCHEDULE



#### PLAN NOTES

1. PATCH AND FINISH @ DEMOLITION TO MATCH ADJACENT FINISH. INFILL ABOVE NEW DOORS w/ STUD/GYP. BD. WALL
2. INFILL EXISTING DOOR OPENING. PATCH AND FINISH TO MATCH ADJACENT FINISH.
3. NEW CONCRETE STOOP AND CONCRETE RAMP w/ LEVEL LANDING AND RAILINGS. 1:12 MAX. RAMP SLOPE. SEE DETAILS 19/G003 & 20/G003

### 12 FLOOR PLAN

SCALE 1/4" = 1'-0"



**DIMENSION IV**  
 Planning, Architectural Design, and Construction Administration  
 Green architecture and sustainable design  
 211 N. Broadway  
 Suite 204  
 Green Bay, WI 54303  
 Phone: (920) 831-3444  
 Fax: (920) 831-3445  
 www.dimension-iv.com  
 A Division of Geist House, Inc.

**MT OLIVE CHURCH**  
**ADDITION/REMODELING**

2460 Mt Olive Dr.  
 Suamico, WI

Verify all existing site conditions  
 REVISIONS:

SHEET INDEX:  
 FIRST FLOOR ADDITION  
 PLAN  
 ROOM FINISH SCHEDULE  
 DOOR SCHEDULE

Copyright © 2017  
 Geist House, Inc.  
 DRAWN BY: [Signature]  
 RCN: [Signature] APPROVED: [Signature]  
 MAY 2, 2017

**A202**  
 G667-BID-170511.dwg