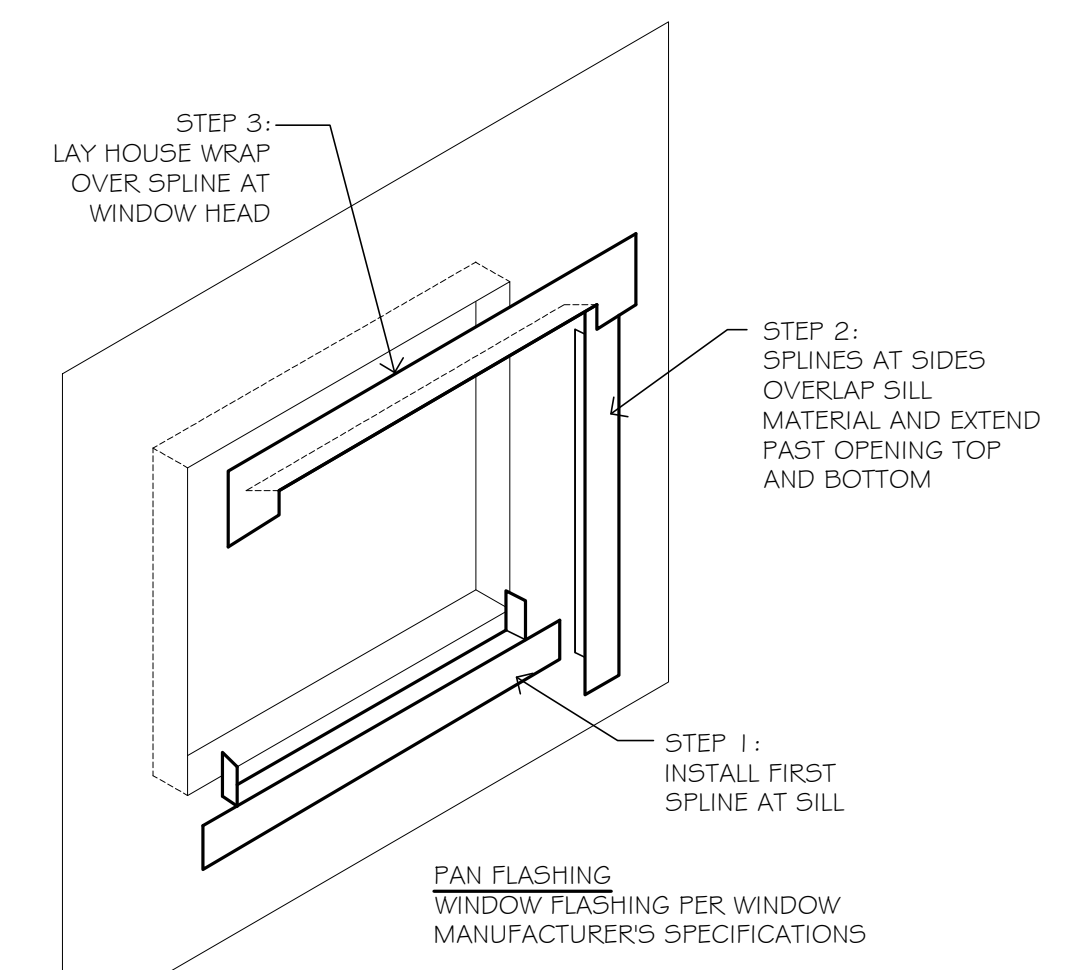
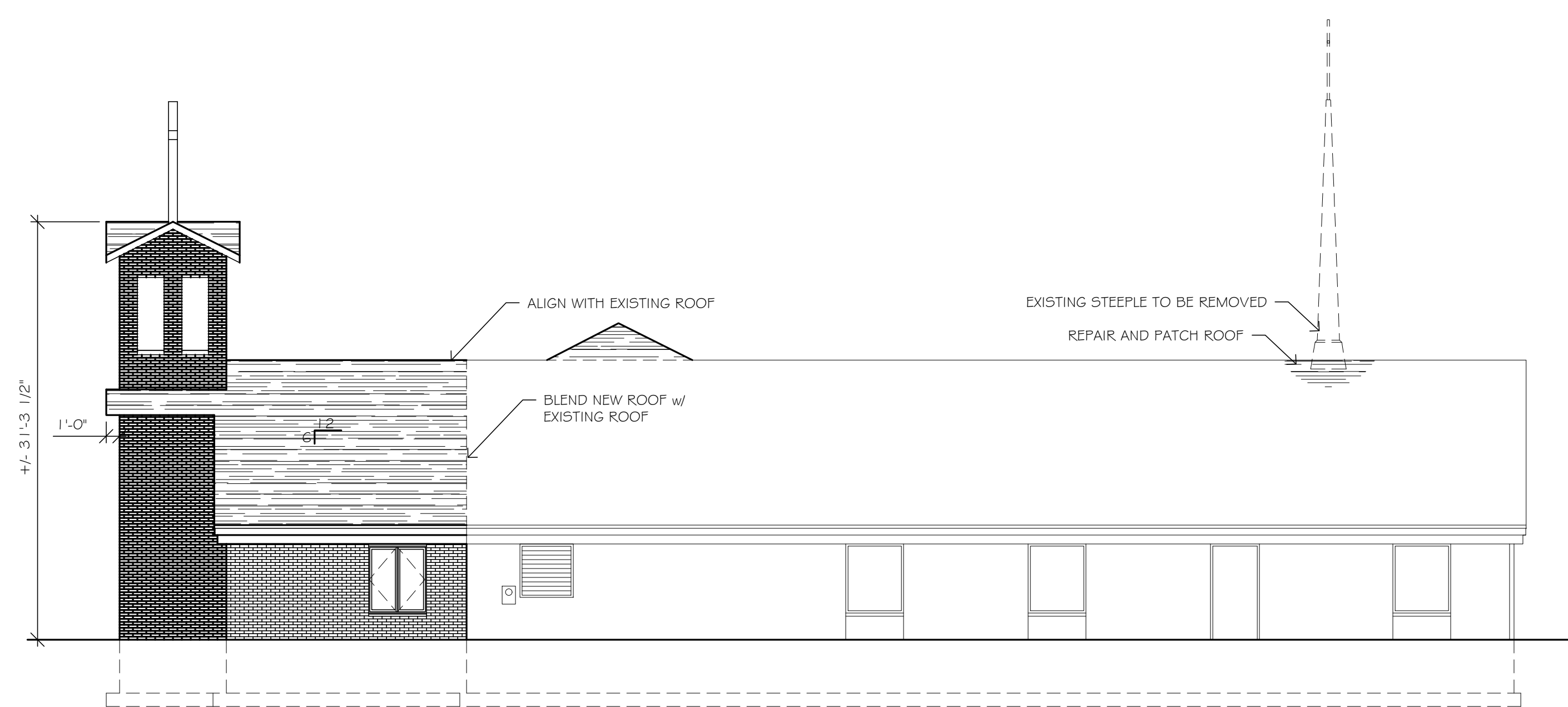


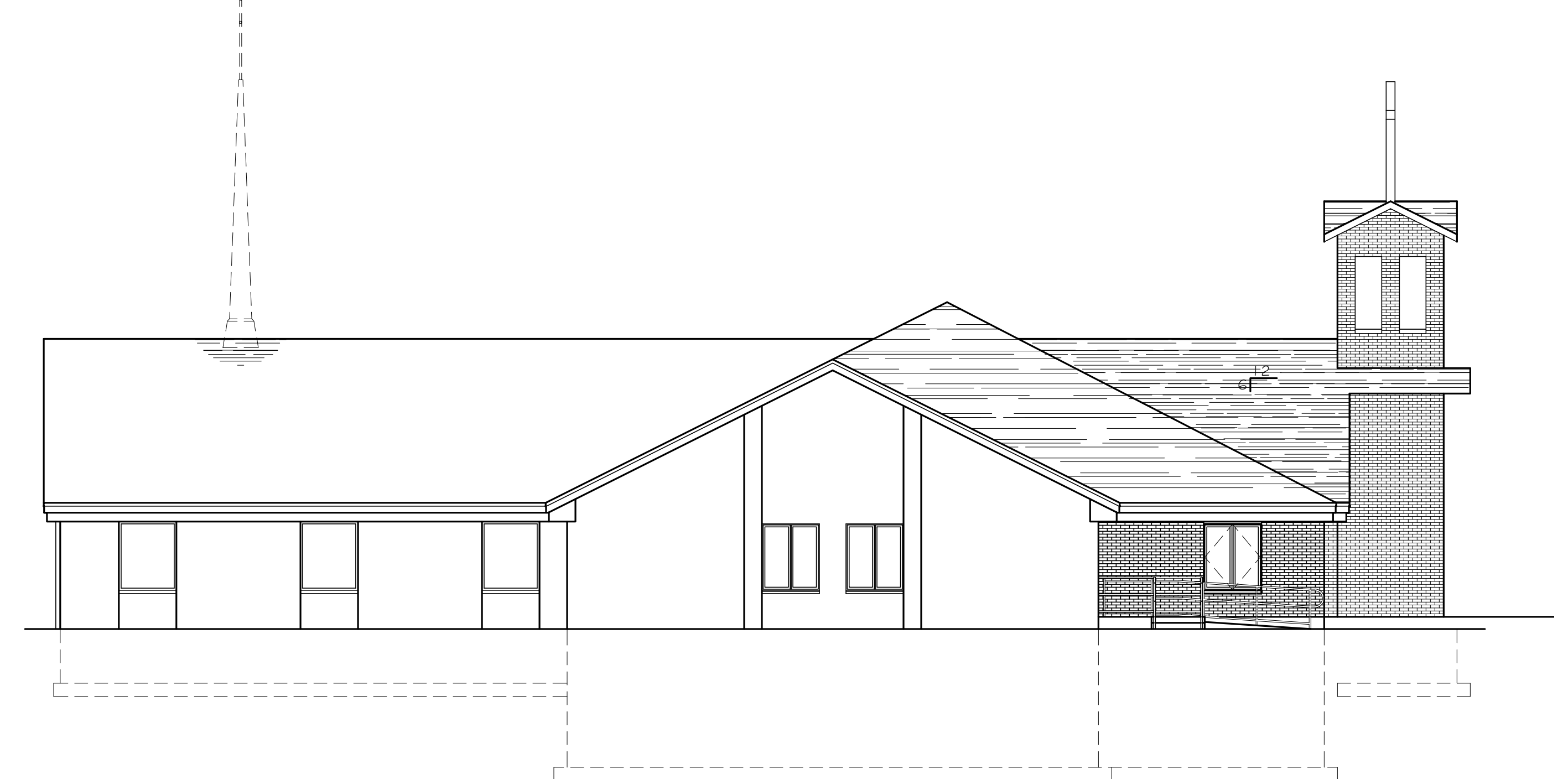
**6 EAST ELEVATION**  
SCALE 1/8" = 1'-0"



**20 FLASHING @ OPENINGS**  
SCALE 1/2" = 1'-0"



**3 WEST ELEVATION**  
SCALE 1/8" = 1'-0"



**15 SOUTH ELEVATION**  
SCALE 1/8" = 1'-0"



**12 NORTH ELEVATION**  
SCALE 1/8" = 1'-0"