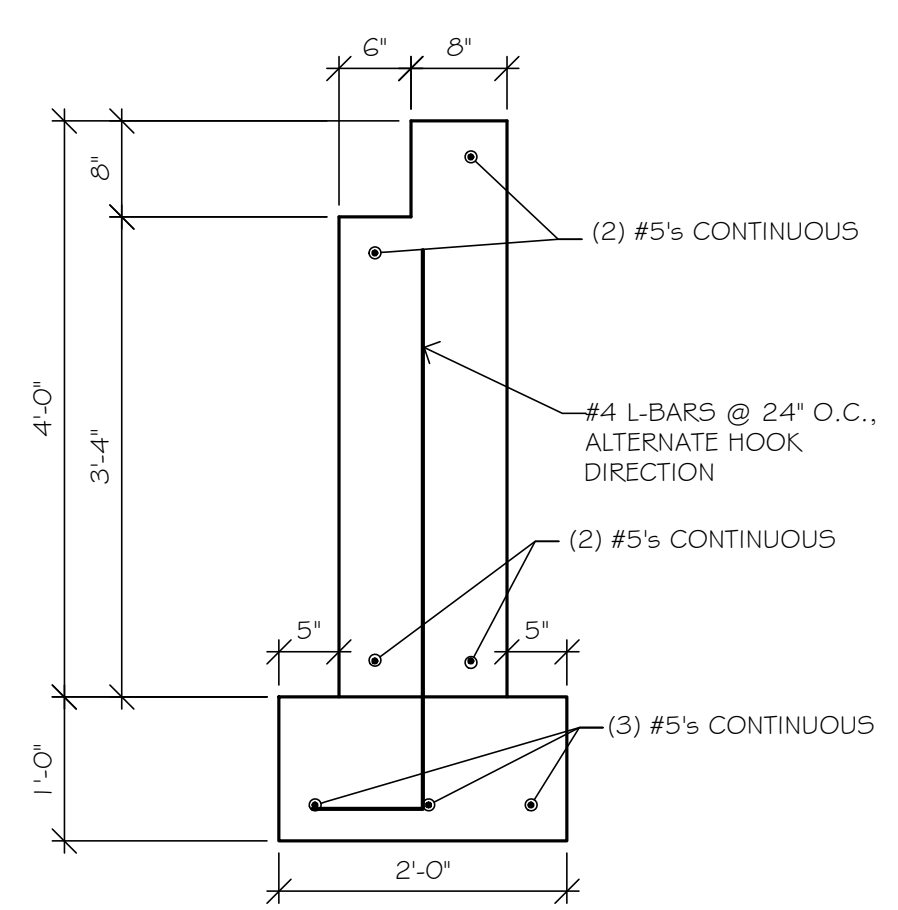
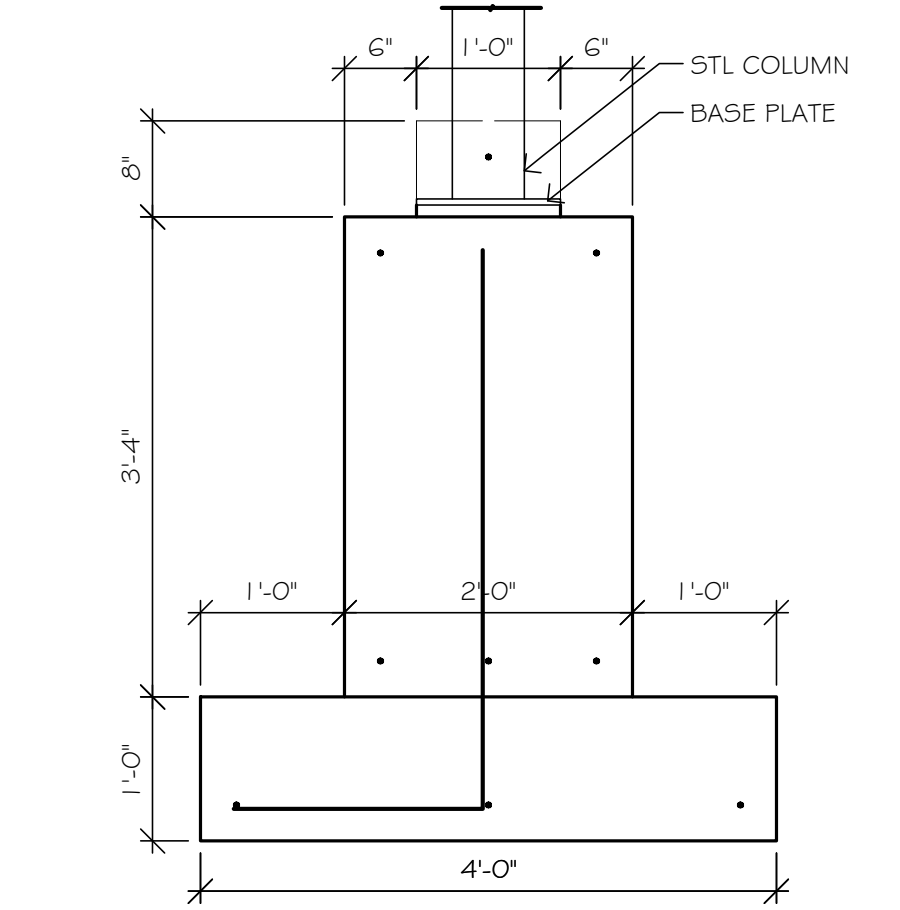


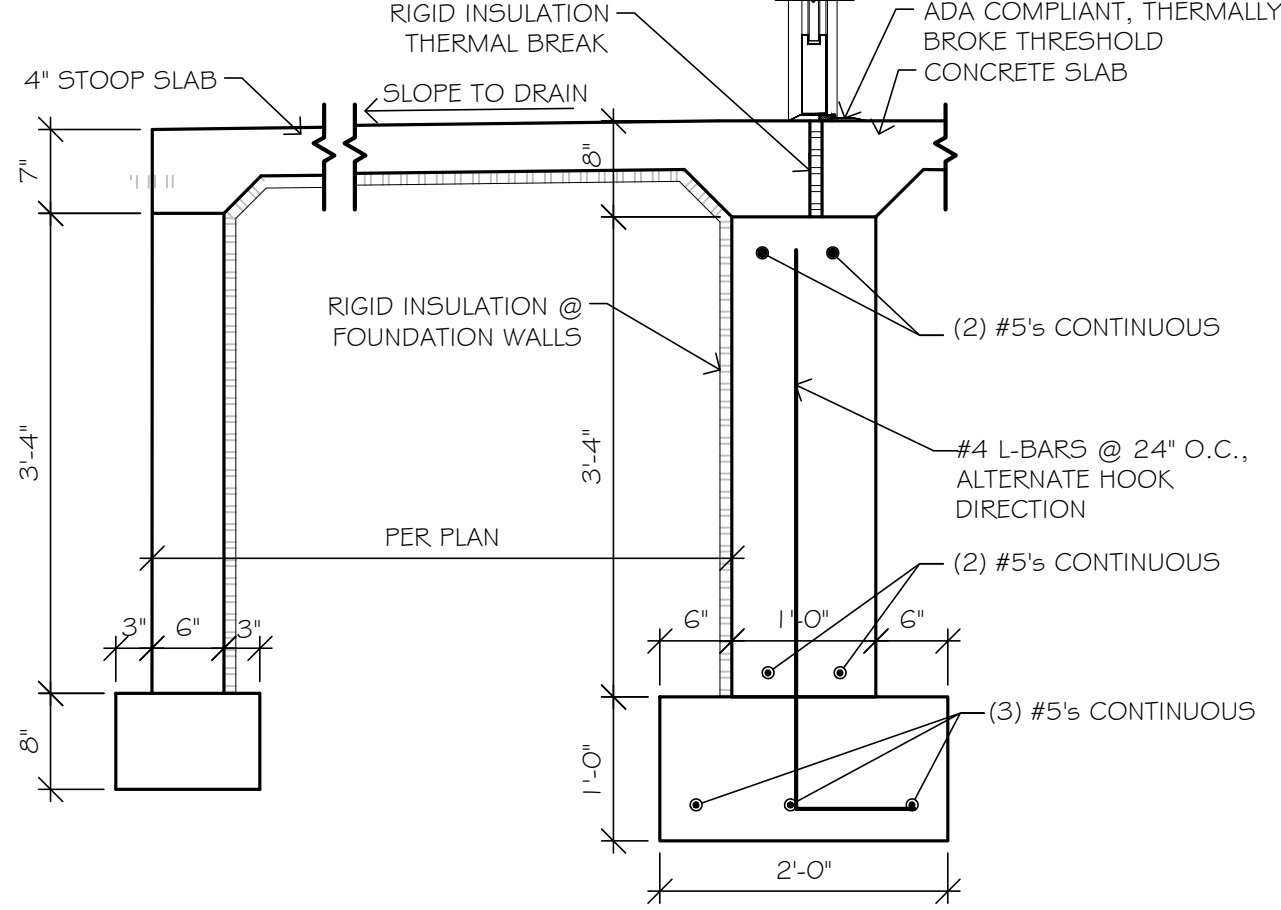
2 ENLARGED PLAN
SCALE 3/4" = 1'-0" AT FRONT VESTIBULE



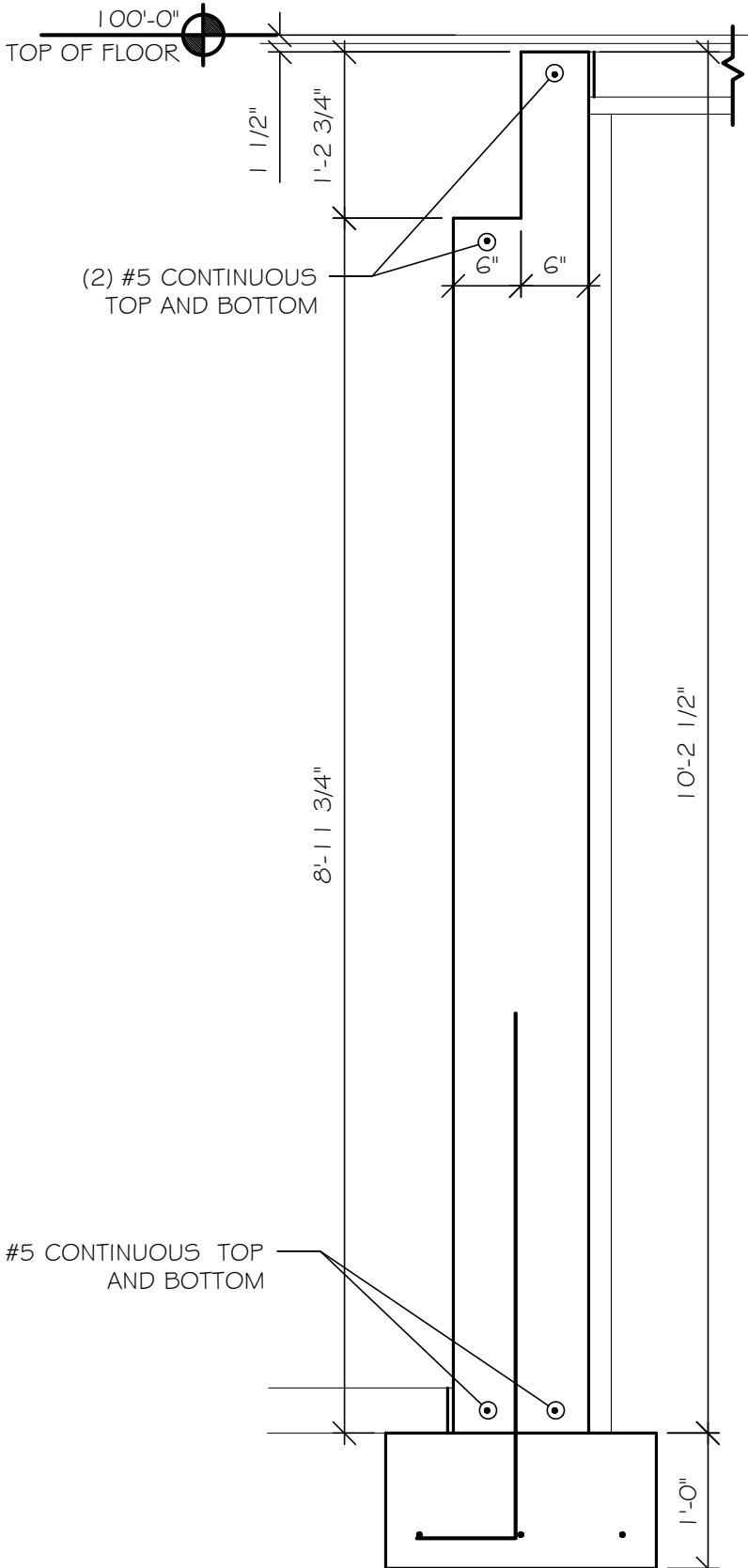
9 FOUNDATION DETAIL
SCALE 3/4" = 1'-0" @ VESTIBULE TALL WALL



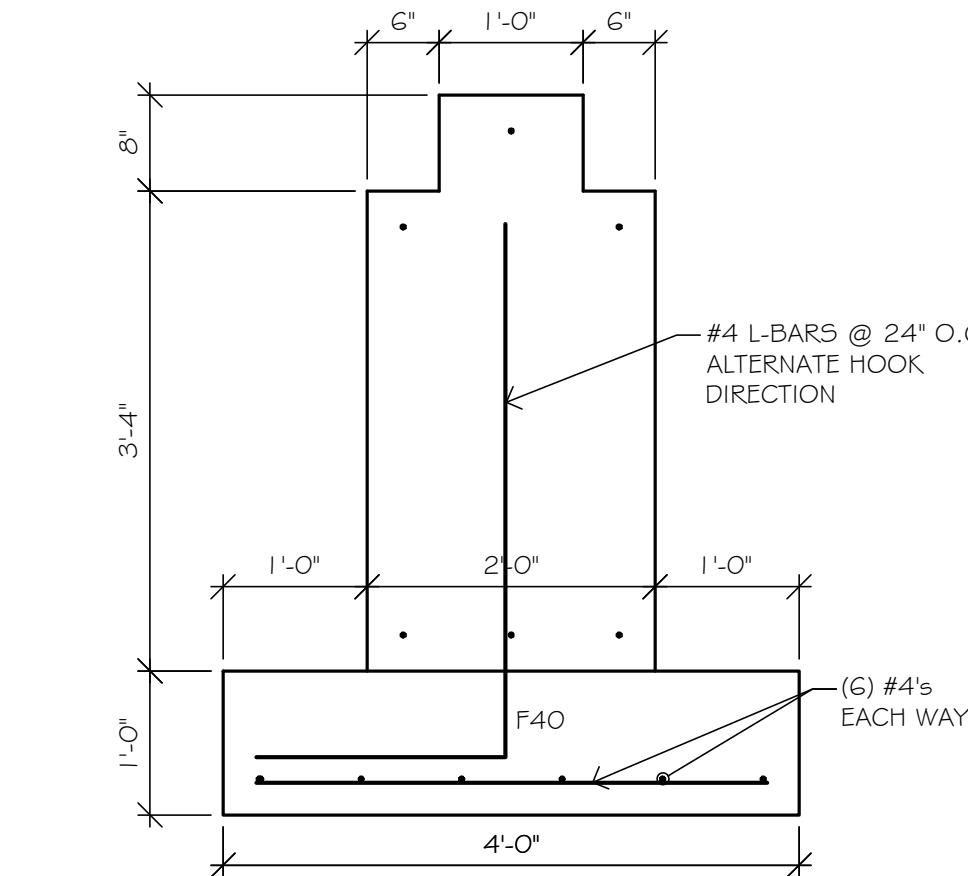
13 FOUNDATION DETAIL
SCALE 3/4" = 1'-0" @ STEEL COLUMN



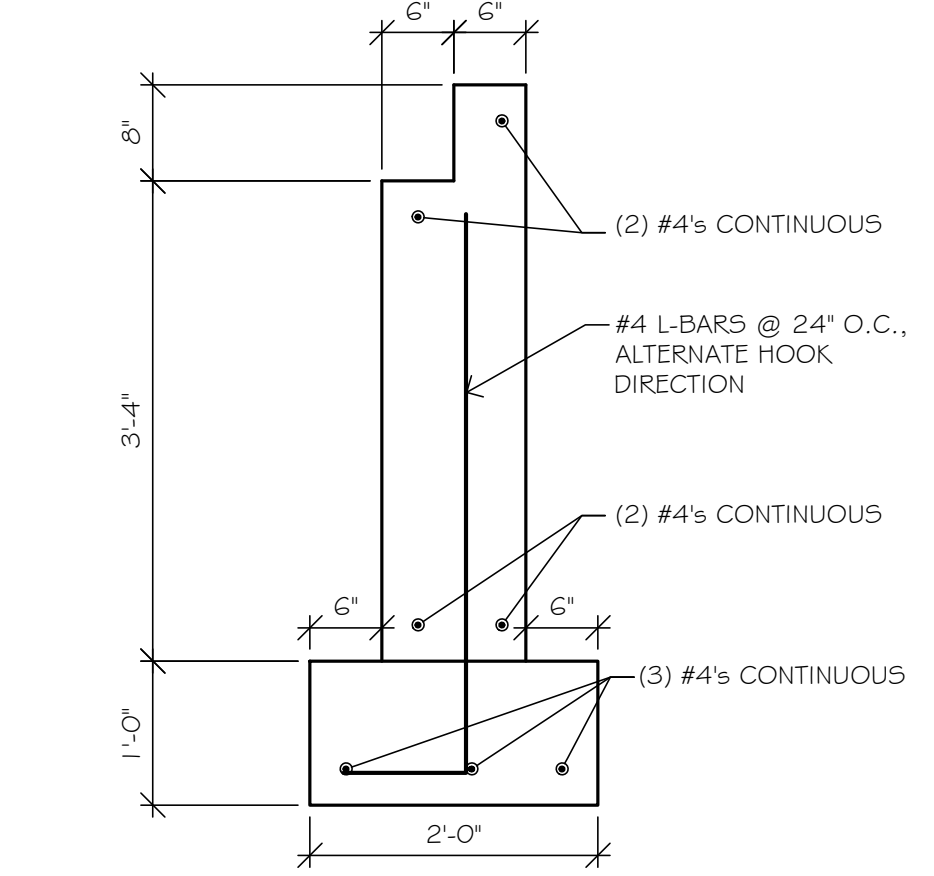
17 STOOP SECTION
SCALE 3/4" = 1'-0"



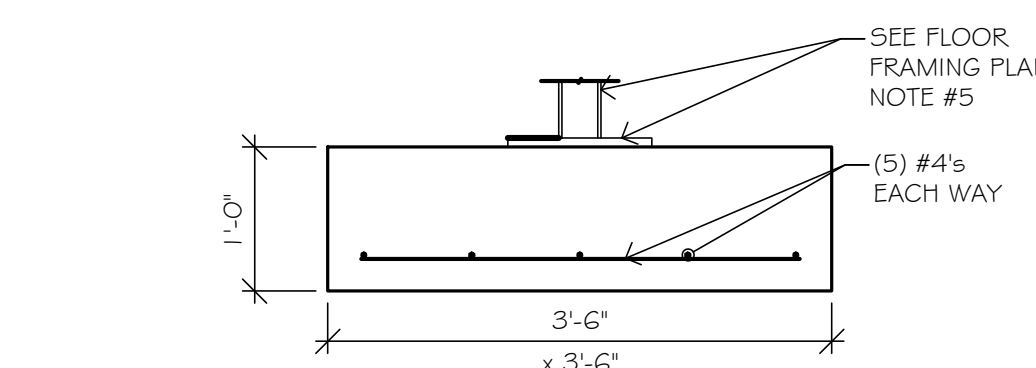
22 FOOTING DETAIL
SCALE 3/4" = 1'-0" @ FLOOR TRANSITION



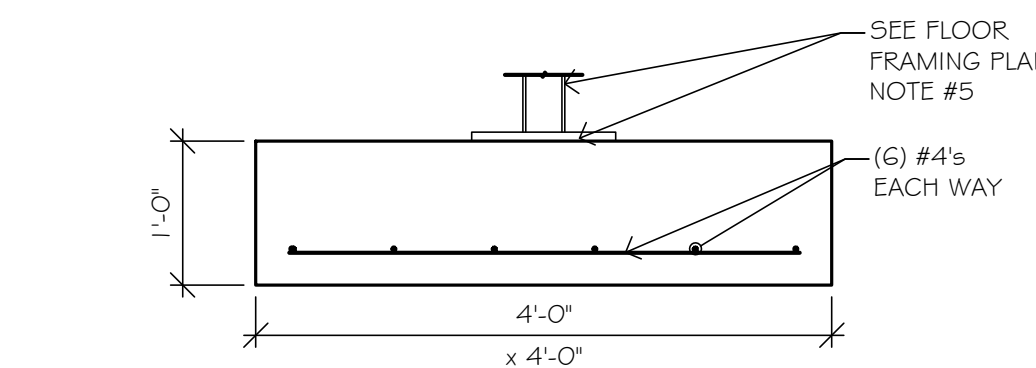
10 FOUNDATION AT TOWER
SCALE 3/4" = 1'-0" DOUBLE BRICK LEDGE



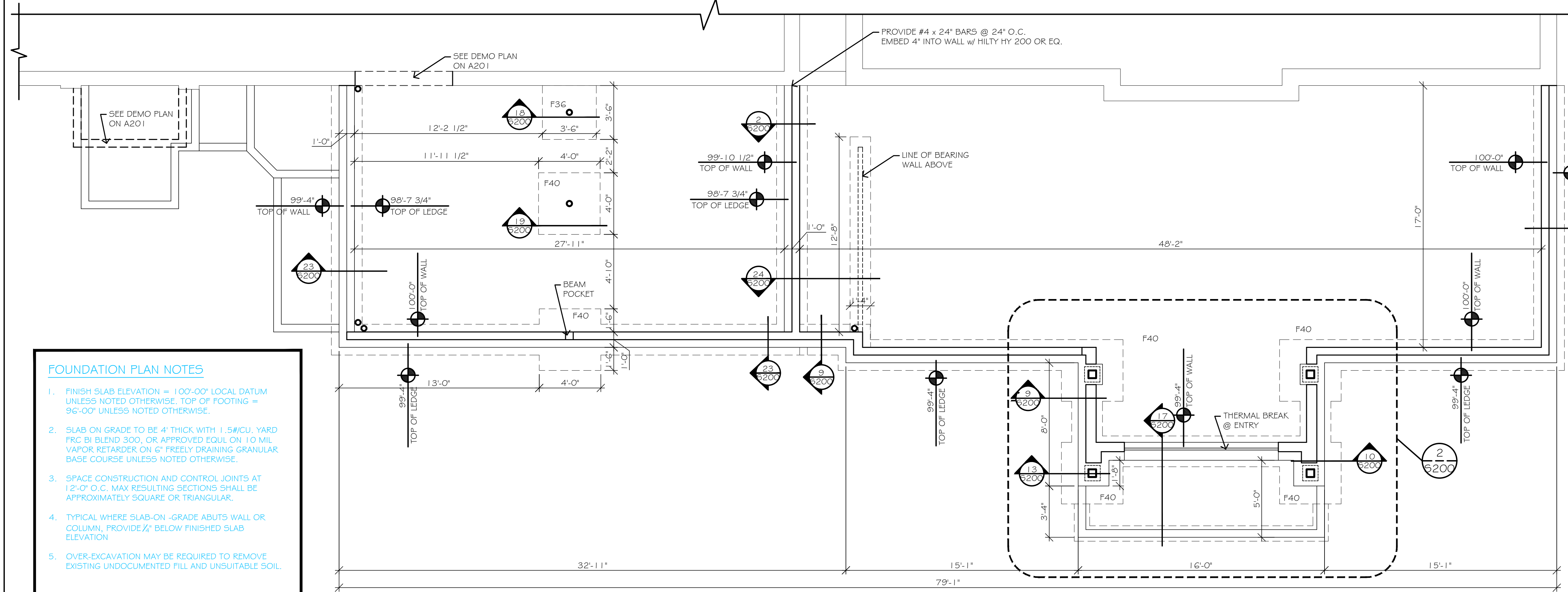
14 FOUNDATION DETAIL
SCALE 3/4" = 1'-0" TYPICAL



18 FOOTING DETAIL
SCALE 3/4" = 1'-0" F36

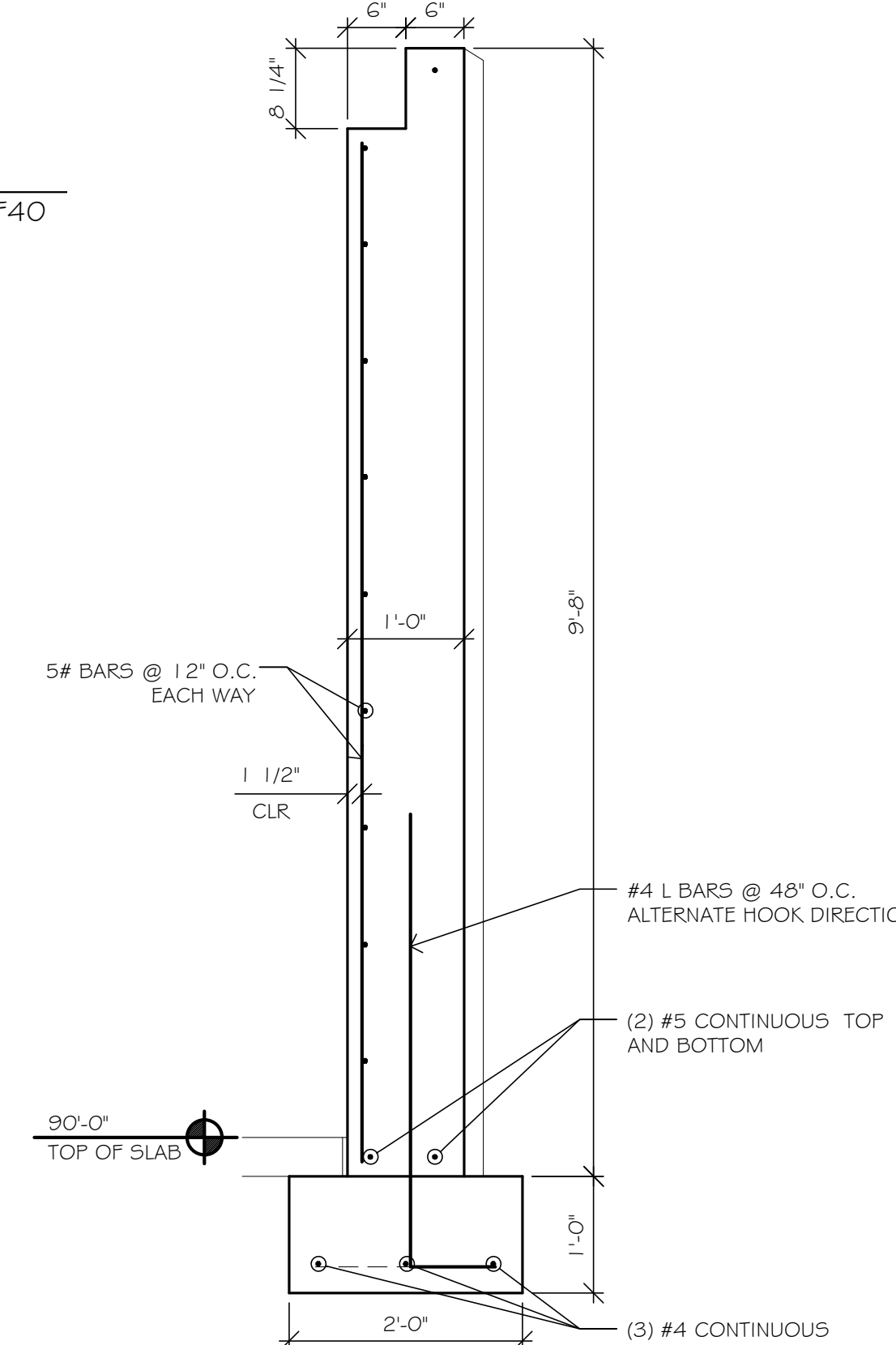


19 FOOTING DETAIL
SCALE 3/4" = 1'-0" F40

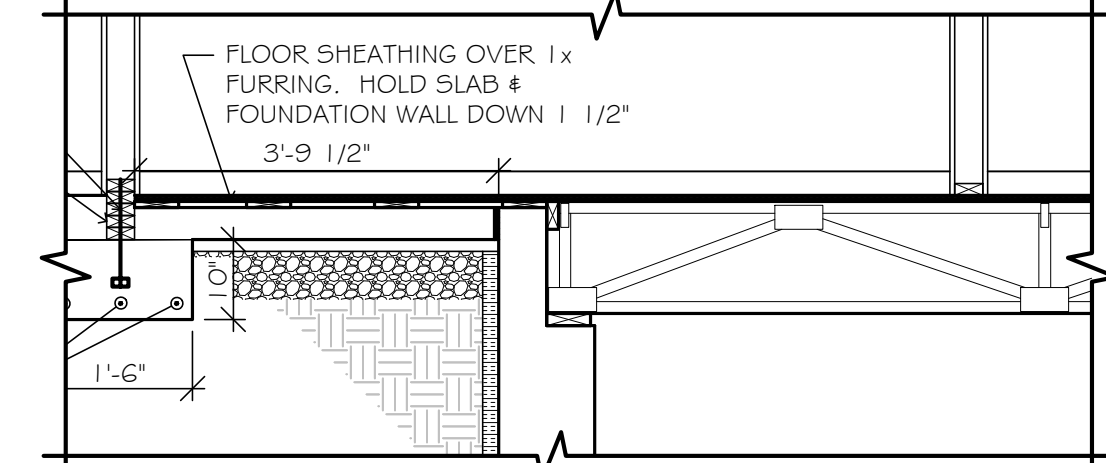


- FOUNDATION PLAN NOTES**
1. FINISH SLAB ELEVATION = 100'-00" LOCAL DATUM UNLESS NOTED OTHERWISE. TOP OF FOOTING = 96'-00" UNLESS NOTED OTHERWISE.
 2. SLAB ON GRADE TO BE 4" THICK WITH 1.5#/CU. YARD FRC BI BLEND 300, OR APPROVED EQUIV ON 10 MIL VAPOR RETARDER ON 6" FREELY DRAINING GRANULAR BASE COURSE UNLESS NOTED OTHERWISE.
 3. SPACE CONSTRUCTION AND CONTROL JOINTS AT 12'-0" O.C. MAX RESULTING SECTIONS SHALL BE APPROXIMATELY SQUARE OR TRIANGULAR.
 4. TYPICAL WHERE SLAB-ON-GRADE ABUTS WALL OR COLUMN, PROVIDE 1/2" BELOW FINISHED SLAB ELEVATION.
 5. OVER-EXCAVATION MAY BE REQUIRED TO REMOVE EXISTING UNDOCUMENTED FILL AND UNSUITABLE SOIL.

4 FOUNDATION PLAN
SCALE 1/4" = 1'-0"



23 WALL SECTION
SCALE 3/4" = 1'-0" @ FLOOR TRANSITION



24 FOOTING DETAIL
SCALE 3/4" = 1'-0" @ FLOOR TRANSITION

DIMENSION IV
Planning, Architectural Design, and Construction Administration
Green architecture and Sustainable Design
211 N. Broadway
Suite 204
Green Bay, WI 54303
(920) 831-3444
Fax (920) 831-3445
www.dimension-iv.com
A Division of Ideas House, Inc.

MT OLIVE CHURCH
ADDITION/REMODELING

Suamico, WI

2460 Mt Olive Dr.

Verify all existing site conditions
REVISIONS:

SHEET INDEX:
FOUNDATION PLANS
FOUNDATION DETAILS

Copyright © 2017
Ideas House, Inc.
DRAWN BY [initials] APPROVED BY [initials]
RCN [initials] [initials]
MAY 2, 2017

S200
G667-BID-170511.dwg